

**TIMELESS
TREASURES**

Have Faith

featuring the Wing And A Prayer collection

Fabric and Projects by Toni Steere and Jenny Foltz



Have Faith

The projects in this pattern use assorted fabrics from the *Wing And A Prayer* collection. Let the fabric do the work for you in these four, quick-to-finish, inspirational projects: nine-square wall hanging, three-square banner, puffy pillow and door hanger. Have faith and let your creativity flow.

NOTE: One 2/3 yard panel of JT-CM3645 Multi is required for all the projects in this pattern. Make sure the panel is cut with the Bible in the center.

General Instructions

1. Cut the panel of JT-CM3645 Multi into three sections. One will be used in each project. Refer to the cutting diagram and remove one row from the left and right sides of panel. The left section will be made into the banner. The right section may be made into a second banner, two mini projects or a hanger. The remaining nine squares, with the Bible in the middle, are for the wall hanging (project 1).

3. Cut all strips width of fabric (WOF).

3. Use a 1/4" seam allowance throughout unless otherwise instructed.

4. Press all seam allowances out from the center.

Project 1: "Have Faith" Nine-Square Wall Hanging (Finished size 33" square)

Center: Middle nine squares of panel JT-CM3645 Multi

First Border: 1/4 yard fabric 1 (JT-C3648 Beige)

- Cut four 2" x WOF.

Folded Border: 1/4 yard fabric 2 (JT-C3651 Wine)

- Cut four strips 1 1/2" strips x WOF.

Outside Border & Binding: 7/8 yard fabric 3 (JT-C3651 Navy)

- For the outer border, cut four 4" strips x WOF.

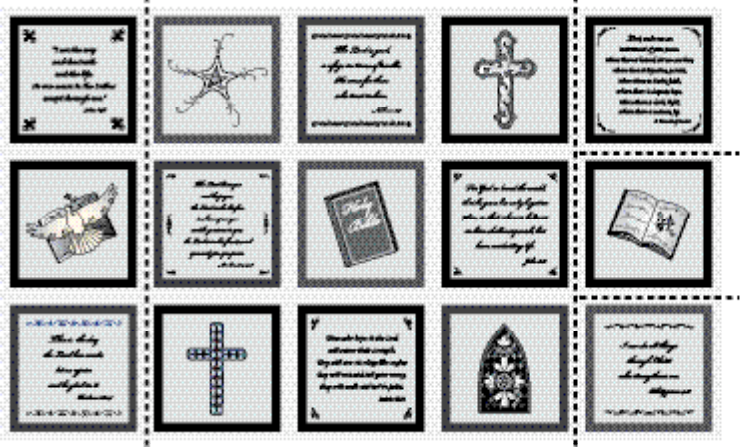
- For the binding, cut four strips 2 1/2" x WOF.

Backing: 1 yard JT-CM3647 Navy

1. Sew fabric 1 strips to the sides of the panel. Trim the ends of the strip even with the center panel. Sew fabric 1 strips to the top and bottom of the panel. Trim ends even with the side borders.

2. Fold and press each fabric 2 strip in half with wrong sides together. Starting with the sides, align the raw edges of two strips with the raw edges of the first border. Stitch, using a scant 1/4" seam allowance. Trim ends of strips even with the top and bottom. Repeat to attach the top and bottom borders. Trim ends of strips even with the sides. Do not press the folded border out. It should lay on top of the first

Panel Cutting Diagram



border.

3. Using the same stitch and trim method as in steps 1 and 2, attach the fabric 3 strips to sides and then to the top and bottom. Congratulations! Your top is done and ready to quilt.

4. See Finishing Instructions for backing, quilting and binding.

Project 2: "Have Faith" Banner (Finished size 15" x 35" from top to tip)

Panel (JT-CM3645 Multi): Use the left-side three-block section

First Border: 1/4 yard fabric 1 (JT-C3651 Beige) **Note:** Using a light color for this border makes the panel squares appear to float.

- Cut two strips 1 1/2" x WOF.

Outer Border, Bottom Triangle and Binding: 2/3 yard fabric 2 (JT-C3651 Purple)

- For outer border, cut two strips 3" x WOF.

- For bottom triangle, cut one 7 1/2" x 15" rectangle.

- For binding, cut three strips 2 1/2" x WOF.

Backing: 1/2 yard JT-C3649 Multi

1. Right sides together, sew fabric 1 strips to the sides of the panel. Trim ends even with the top and bottom. Right sides together, sew fabric 1 strips to the top and bottom of the panel. Trim even with the sides.

2. Using the same stitch and trim method as in step 1, add fabric 2 strips to the sides, and then the top of the panel for the outer border. Center the fabric 2 rectangle with the bottom of the panel and sew. Trim

Have Faith Wall Hanging



Have Faith Banner



excess even with the sides.

3. To create the bottom point, fold the banner in half lengthwise. Line up the 45° angle on your ruler with the bottom edge of the banner and cut from the point of the fold up through the sides. (figure 1) *The 45° angle is bias. Handle with care.*

4. See Finishing Instructions for backing, quilting and binding.

Project 3: "Have Faith" Mini Projects (Finished size 7" square)

Use the remaining squares and leftover fabrics to create charming little projects. Nothing goes to waste!

1. Mini pillow: Use two squares and a dab of fiberfill to create a puffy pillow.
2. Door hanger: Use remaining square, scrap backing and batting. Quilt and bind. Add sentiment charms, beads and ribbon hanger, creating charming little gifts.

Finishing Instructions for Projects 1 &

2

1. Cut the backing piece 2" larger than the project on all sides. Cut a piece of batting the same size. Sandwich the top, batting and backing together using the basting method you prefer. (I like to spray baste.) Quilt through all three layers.

2. To make binding, place binding strips right sides together at a 90° angle. Stitch on 45° angle and trim corners to 1/4". Repeat with the rest of strips. (Figure 2) *Note: Always sew from top left to bottom right.*

3. Trim backing and batting even with the edges of the wall hanging or banner. Fold binding in half, wrong sides together and press. Pin the binding to the edge of the project with raw edges even, mitering the corners. Sew the binding to the quilt.

Fold the binding over the raw edges to the back of the quilt and blind stitch in place by hand.

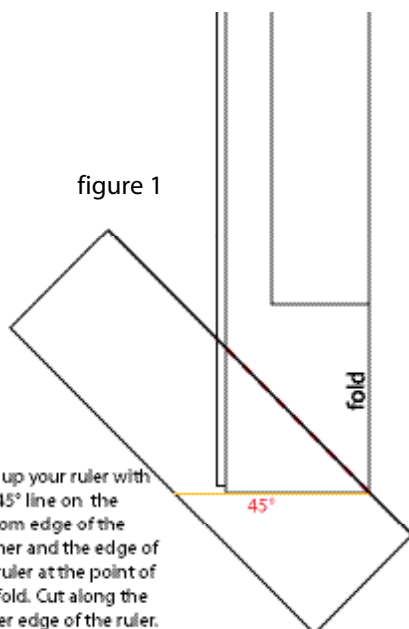
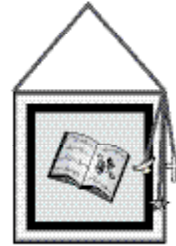


figure 1
Line up your ruler with the 45° line on the bottom edge of the banner and the edge of the ruler at the point of the fold. Cut along the upper edge of the ruler.

Have Faith Mini Projects



SPECIAL NOTE ON BINDING AND FINISHING THE BANNER (Project 2):

Binding the side angle of the banner will require less than the standard 90° fold used in mitering corners. Stop and check the stitched corner before proceeding too far. (figure 3) While binding, attach a ribbon to the banner two inches from outside edges

for hanging. Add ribbons, charms and beads to dangle from the banner point. (Tip: Insert a small dowel rod or bamboo skewer through the top binding to prevent buckling.)

Happy Quilting! Toni and Jenny

@2008 Wing And A Prayer Design

For more inspiring patterns and sentiment charms, visit

www.wingandaprayerdesign.com

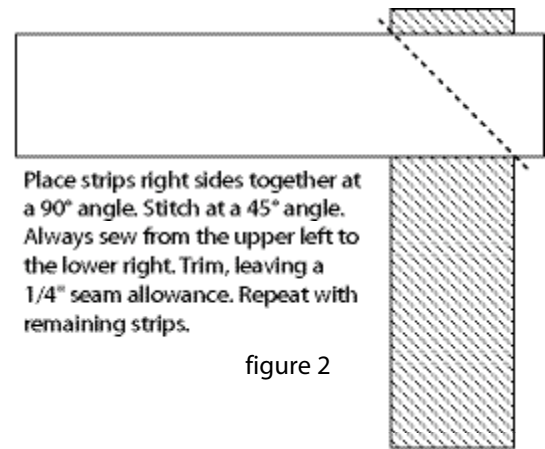


figure 2

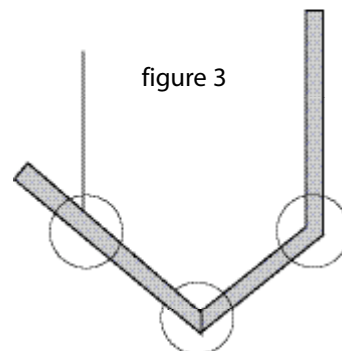


figure 3
Miter the corners at the lower edge of the banner with less than the standard 90° angle.